

IN DEPTH

extrusion

mysterious stranger

pretended to be a sphinges

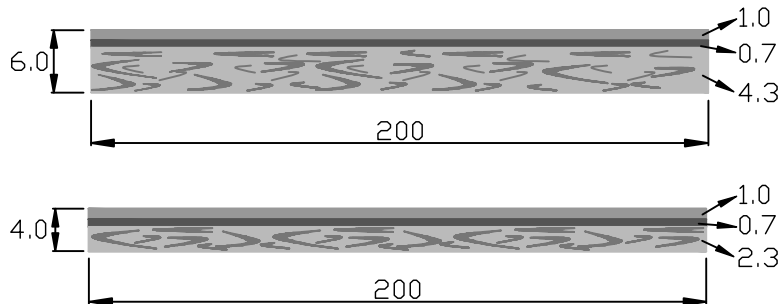


IN DEPTH Extrusion

Product code	
Front	Temple
JUD5-0185	JUD5-0185
UD5-0186	UD5-0186
JUD5-0187	JUD5-0187
UD5-0188	UD5-0188
JUD5-0189	JUD5-0189
JUD5-0190	JUD5-0190
JUD5-0191	JUD5-0191



	Standard sizes	Tolerance
6.0	200*1400mm	6.0-6.2mm 198-205mm 1400-1410mm
4.0	200*1400mm	4.0-4.2mm 198-205mm 1400-1410mm



JUD5-0185



UD5-0186



JUD5-0187



UD5-0188



JUD5-0189



JUD5-0190



JUD5-0191

